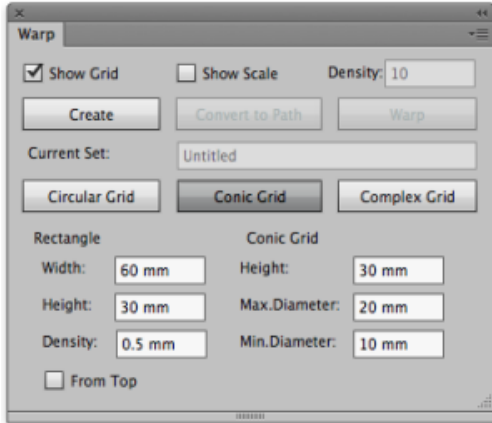
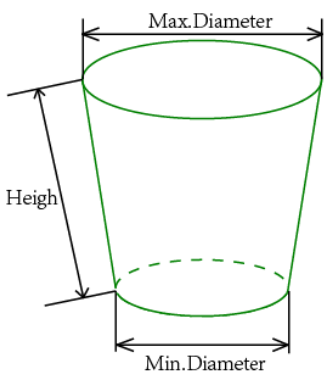
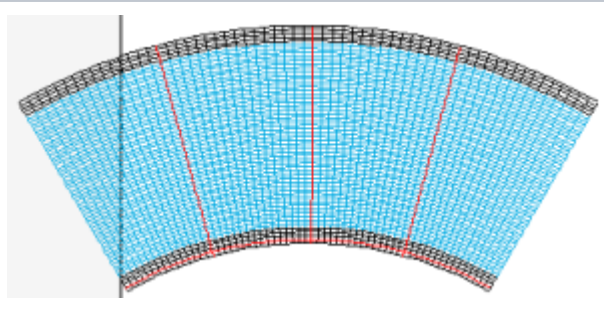


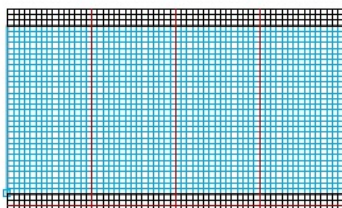
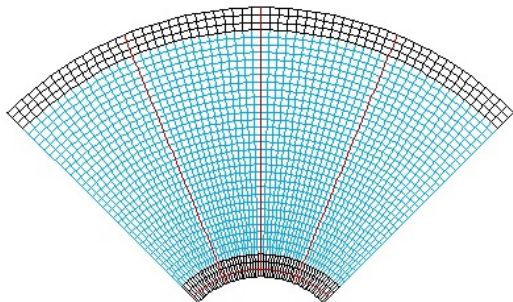
Conic Warp

1. Launch Adobe Illustrator and open the document.
2. In the Illustrator menu bar, go to the Window menu, select **Prinergy > Warp > Warp**, and then select **Conic Grid** in the dialog box that appears.
3. In the Warp dialog box, set the parameters for the grid:

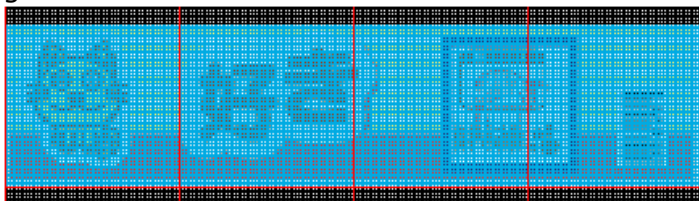


<p>In the Rectangle area</p>	<p>Width: Set the width of the source grid area.</p> <p>Height: Set the height of the source grid area.</p> <p>Density: Set the width and height of a single cell from the source grid.</p>
<p>In the Conic Grid area</p> 	<p>Set the Height, Max. Diameter, and Min. Diameter as shown in the figure.</p> 

4. After setting the parameters, click **Create** to create the source grid and the destination grid.



5. Select the artwork that requires warping, and position it over the source grid (the rectangular grid). Only graphics positioned in the live area of the source grid will be moved to the destination grid. Any graphics outside the source grid will be clipped out of the destination grid. The following image shows the artwork positioned over the source grid.



6. Click **Warp**. The Warp button is active only if your artwork is selected. When you click **Warp**, your artwork will be warped to fit the destination grid.

