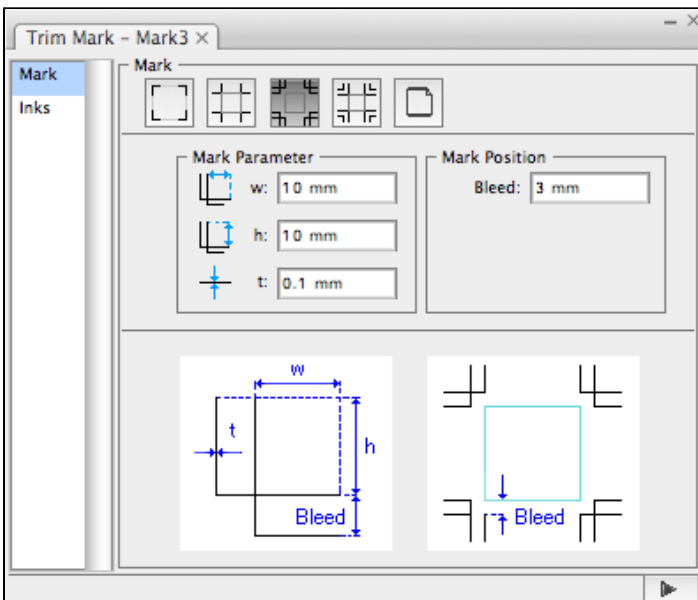
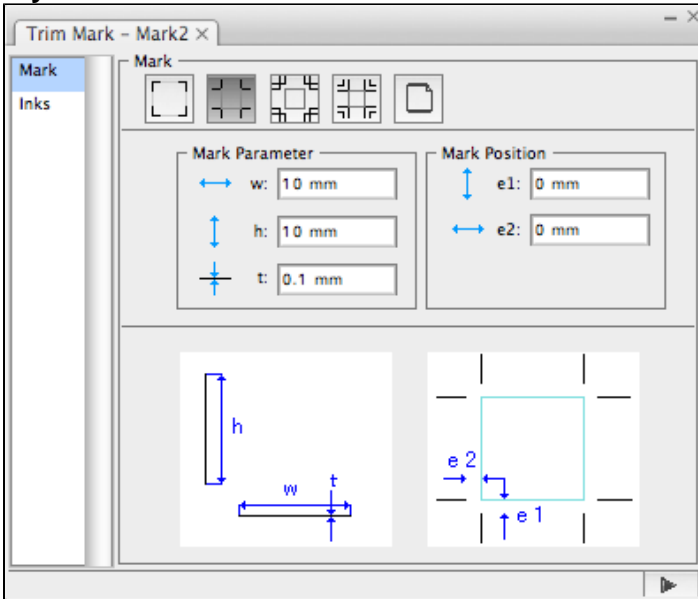


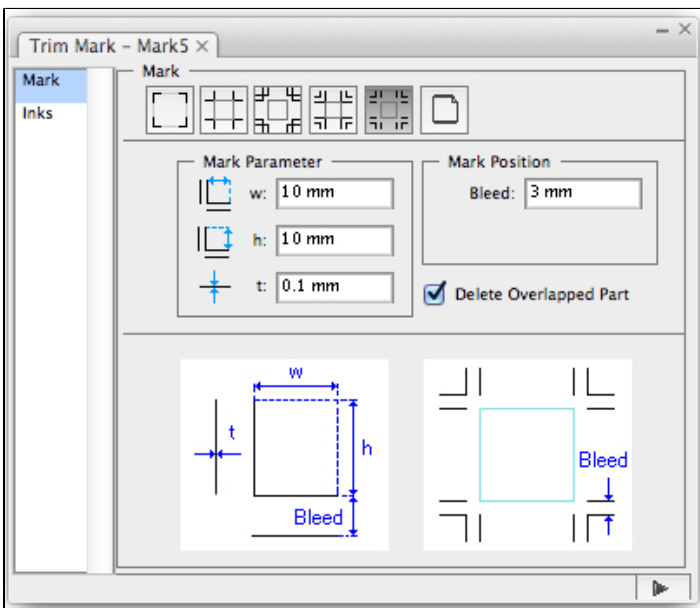
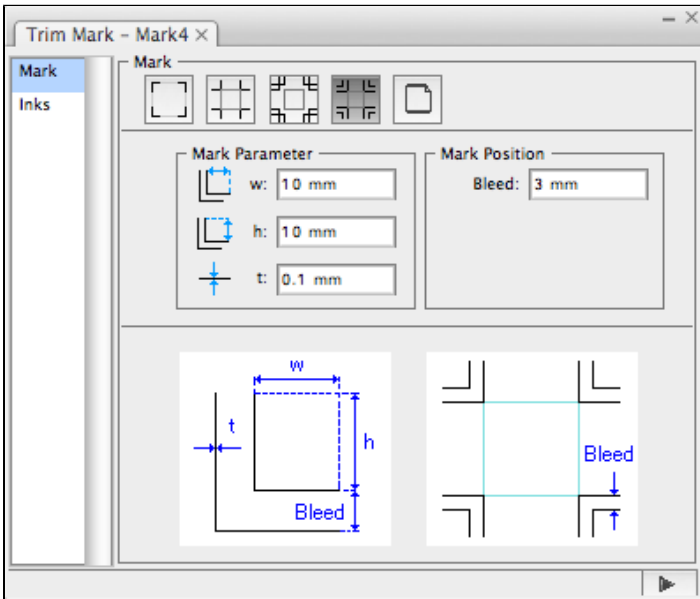
Trim Mark

Trim Mark

As shown in the following images, Mark provides five styles of corner marks and one custom mark. Choose the desired style then enter the geometric parameters of the selected mark types in the corresponding dialog box. When you click **Apply**, the software will make the specified marks at the corresponding position in the layout.

Styles of corner marks:





Custom trim mark:

